

VANGUARD

M/NM EMERGENCY BULKHEAD



Vanguard emergency bulkheads can be configured for either maintained or non-maintained operation. The product features a convenient hinged gear tray for easy installation and a prismatic lens that offers improved spacings for both escape route and open area lighting. LiFePO4 batteries ensure a longer and more reliable service life.

Features

- Tough IP66 construction for indoor and outdoor applications
- Hinged gear tray for rapid installation
- Maintained or non-maintained operation
- Supplied with self-adhesive legend kit (Also sold separately)

Code	Description	Lumen Output	Emergency Lumen Output	Wattage	Efficacy
VAN/3	Vanguard M/NM Emergency Bulkhead 3 Hr IP66	150 lm	150 lm	3W	-
VAN/3/ST	Vanguard M/NM Emergency Bulkhead 3 Hr IP66 Self Test	150 lm	150 lm	3W	-
VAN/3/ST/V2	Vanguard M/NM Emergency Bulkhead 3Hr IP66 Selectable ST/M	150 lm	150 lm	3W	-

VANGUARD

M/NM EMERGENCY BULKHEAD

Specification

Material:-	Body: ABS, Cover: Polycarbonate
Guarantee:-	5 Years
Colour Finish:-	White RAL9003
Colour Temperature:-	6500K
IK Rating:-	IK08

IP Rating:-	IP66
Working Temperature:-	5°C to +45°C
Emergency Battery Type:-	LiFePO4
Electrical Class:-	Class II

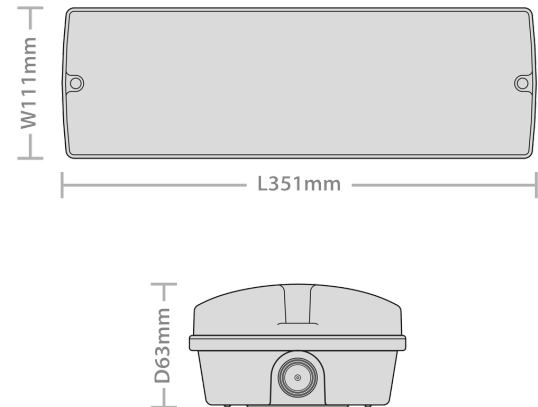
Spacing Tables

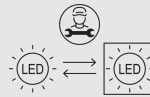
Spacing Tables

Open Area					
Mount Height (m)	Open Area 0.5 Lux min (m)				
Self Contained	↔	↔↔	↔↔↔	↔↔↔↔	↔↔↔↔↔
2.5	4.7	10.5	2.4	6.5	
2.8	4.8	11.2	2.3	6.7	
3.0	4.5	11.6	2.3	6.7	
4.0	5.1	12.5	2.0	6.5	
5.0	4.9	13.5	1.5	6.2	

Escape Route			
Mount Height (m)	Escape Route 1 Lux min (m)		
Self Contained	↔	↔↔	↔↔↔
2.5	3.3	8.7	
2.8	3.6	8.8	
3.0	3.7	8.89	
4.0	3.6	10.0	

Dimensions


**UK
CA**

CE

www.redarrowelectrical.co.uk